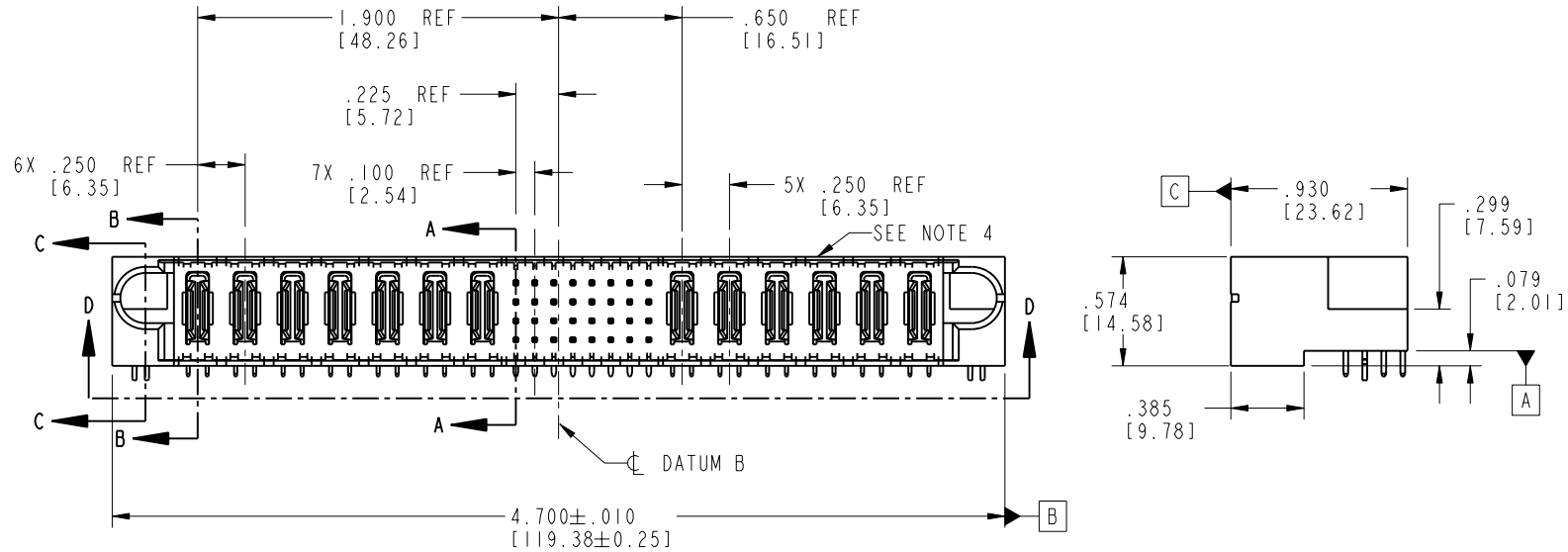
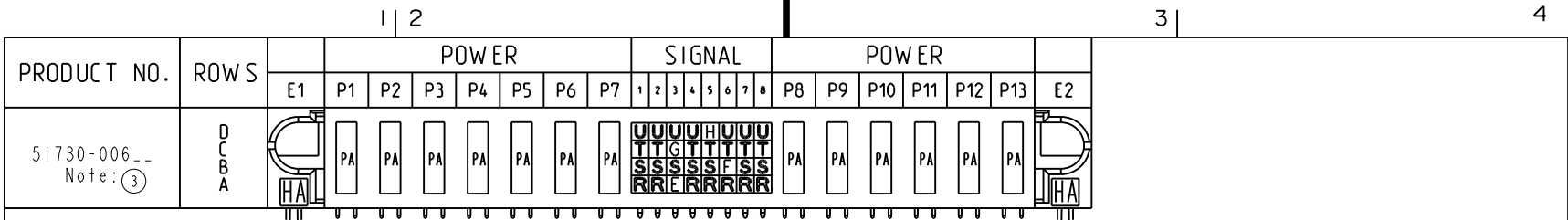


Tous droits strictement réservés. Reproduction ou communication o des liens interdite sous quelque forme que ce soit sans autorisation écrite du propriétaire. Propriété de c FCI. Droits de reproduction FCI.

All rights strictly reserved. Reproduction or issue to third parties in any form whenever is not permitted without written authority from the proprietor. Property of FCI. Copyright FCI.



CODE	DIM "M" MATING LENGTH	CONTACT TYPE
E	.220 [5.59]	SIGNAL
F	.220 [5.59]	SIGNAL
G	.220 [5.59]	SIGNAL
H	.220 [5.59]	SIGNAL
R	.270 [6.86]	SIGNAL
S	.270 [6.86]	SIGNAL
T	.270 [6.86]	SIGNAL
U	.270 [6.86]	SIGNAL
PA	N/A [N/A]	POWER
HA	N/A [N/A]	HOLD-DOWN

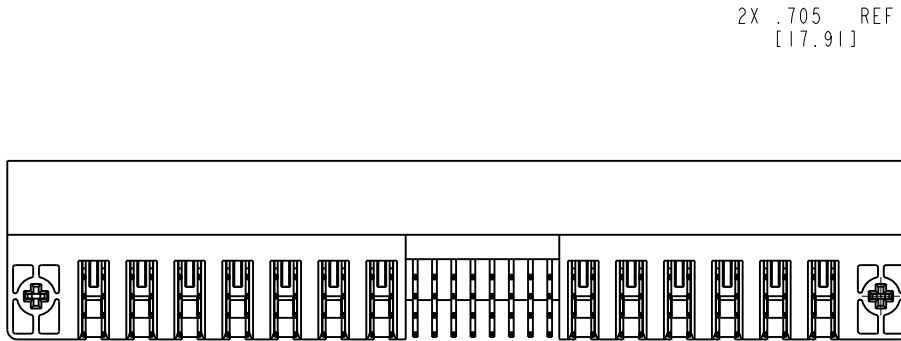
mat'l code				SEE NOTE 2		tolerances unless otherwise specified		CUSTOMER		 www.fciconnect.com	
ltr	ecn no.	dr	date	linear	.XX±.01/0.X±0.3		COPY		 INCH/MM	title	
A	V02906	JWS	12-05-00		.XXX±.005/0.XX±0.13		projection			7P + 32S + 6P	
B	V20009	JWS	01-14-02		.XXX±.0020/0.XXX±0.051		 scale			RIGHT ANGLE SOLDER HEADER	
C	DG05-0182	SJ	06/22/05	angles	0° ± 2°		product family		PwrBlade		
D	DG05-0415	GuoJM	10/25/05	dr	J. SHAFFER	01-14-02	size		213		
				engr	M. MOSTOLLER	01-14-02	dwg no		51730-006		
				chr	M. MOSTOLLER	01-14-02	sheet		1 of 4		
				appd	M. MOSTOLLER	01-14-02	cage code		22526		
sheet index	revision sheet	D	D	D	D						
		1	2	3	4						

Tous droits strictement réservés. Reproduction ou communication o des liers interdite sous quelque forme que ce soit sans autorisation écrite du propriétaire. Propriete de c FCI. Droits de reproduction FCI.

All rights strictly reserved. Reproduction or issue to third parties in any form, whatever is not permitted without written authority from the proprietor. Property of FCI. Copyright FCI.

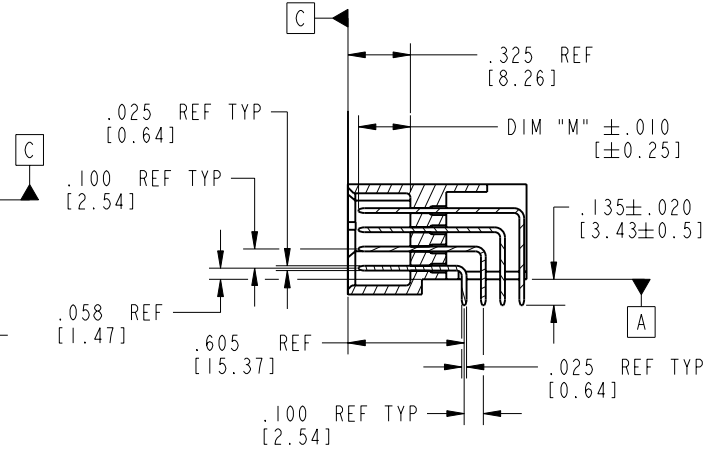
PRODUCT NUMBER

51730-006__
Note: (3)

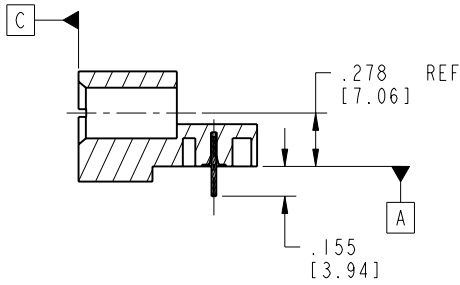


VIEW D-D

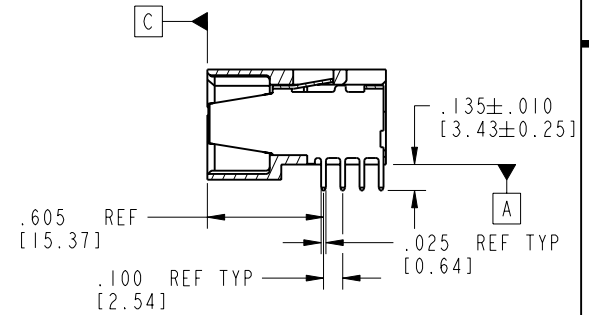
2X .705 REF
[17.91]




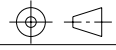
SECTION A-A



SECTION C-C



SECTION B-B

mat'l code		SEE NOTE 2		tolerances unless otherwise specified		CUSTOMER		 www.fciconnect.com	
lfr	ecn no.	dr	date	linear	.XX±.01/0.X±0.3	COPY			
D				projection	.XXX±.005/0.XX±0.13			title	
				angles	.XXX±.0020/0.XXX±0.051	INCH/MM		product family	
				dr	J. SHAFFER 01-14-02	scale		PwrBlade	
				enr	M. MOSTOLLER 01-14-02	1:1		code	
				chr	M. MOSTOLLER 01-14-02			size	
				appd	M. MOSTOLLER 01-14-02			dwg no	
sheet index		revision sheet						A 51730-006	
								213	
								2 of 4	

cage code 22526

Pro/E

PDM: Rev:D

STATUS: Released

Printed: Oct 08, 2006

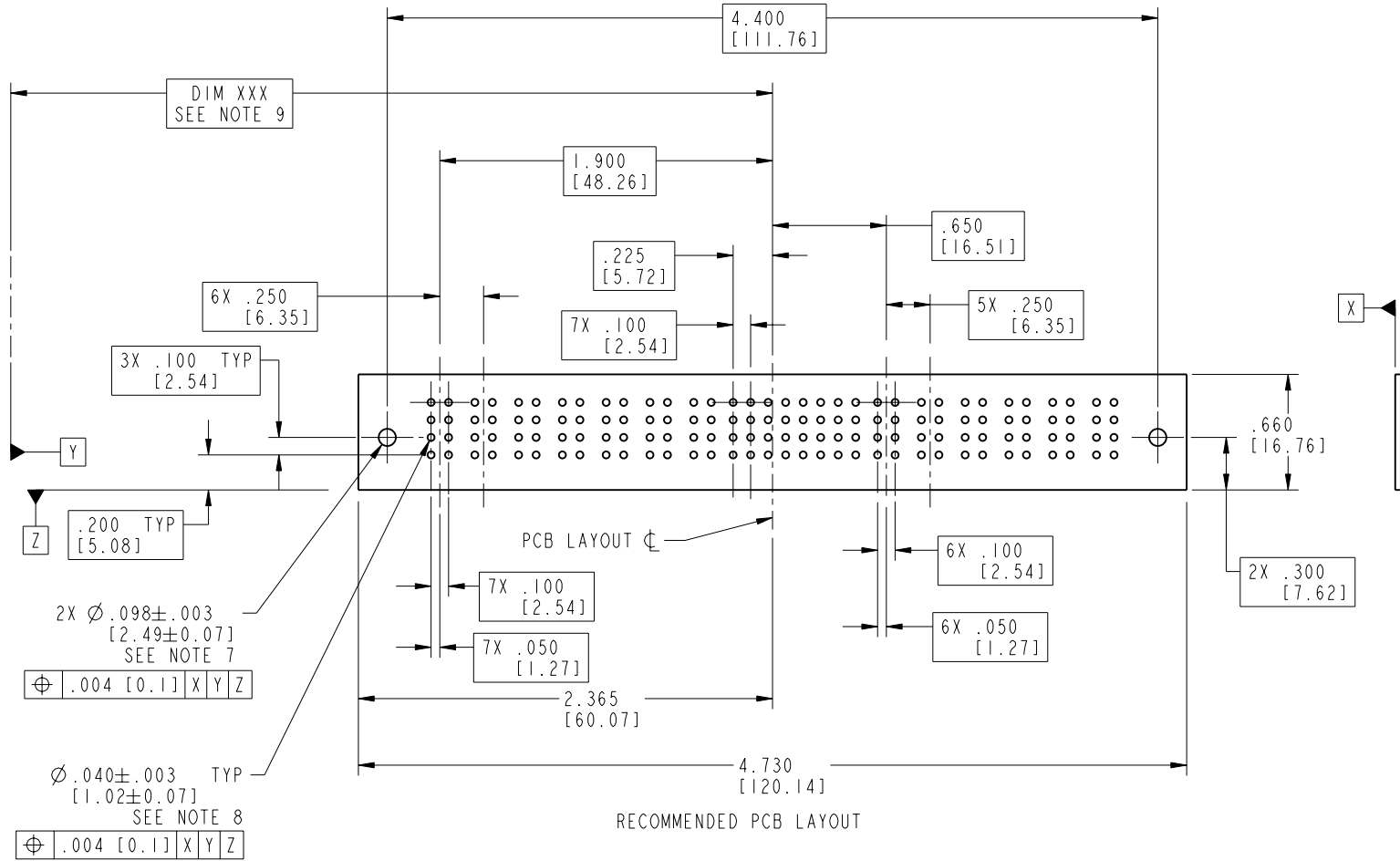
Tous droits strictement réservés. Reproduction ou communication o des liers interdite sous quelque forme que ce soit sans autorisation écrite du propriétaire. Propriété de c FCI. Droits de reproduction FCI.

All rights strictly reserved. Reproduction or issue to third parties in any form, whenever is not permitted without written authority from the proprietor. Property of FCI. Copyright FCI.



PRODUCT NUMBER

51730-006--
Note: ③



mat'l code		SEE NOTE 2		tolerances unless otherwise specified		CUSTOMER		 www.fciconnect.com	
lfr	ecn no.	dr	date	linear	.XX±.01/0.X±0.3	COPY			
D				linear	.XXX±.005/0.XX±0.13	projection		 INCH/MM	
				angles	.XXX±.0020/0.XXX±0.051	scale			
				dr	J. SHAFFER 01-14-02	product family		PwrBlade code 213	
				engr	M. MOSTOLLER 01-14-02	size			
				chr	M. MOSTOLLER 01-14-02	dwg no		51730-006 sheet 3 of 4	
				appd	M. MOSTOLLER 01-14-02	A			
sheet index	revision sheet								

cage code 22526

Pro/E

Tous droits strictement réservés. Reproduction ou communication o des liers interdite sous quelque forme que ce soit sans autorisation écrite du propriétaire. Propriete de c FCI. Droits de reproduction FCI.



All rights strictly reserved. Reproduction or issue to third parties in any form, whatever is not permitted without written authority from the proprietor. Property of FCI. Copyright FCI.

1 | 2

3 |

4

PRODUCT NUMBER

51730-006__
Note: ③

NOTES:

1. DIMENSIONS AND TOLERANCES ARE IN ACCORDANCE WITH ASME Y14.5M, 1994 UNLESS OTHERWISE SPECIFIED.

CONNECTORS NOTES:

② HOUSING MATERIAL: UL 94 V-0 GLASS FILLED HIGH TEMP THERMO PLASTIC
POWER CONTACT MATERIAL: COPPER ALLOY
SIGNAL PIN MATERIAL: COPPER ALLOY

3. PLATING:

51730-006 Singal Pin:30u"/0.76um Au OVER 50u"/1.27um Ni ON THE CONTACT AREA, AND 100u"/2.54um SnPb PLATING OVER 50u"/1.27um Ni ON THE TERMINATION SECTION.
Power Pin:30u"/0.76um Au OVER 50u"/1.27um Ni ON THE CONTACT AREA, AND 100u"/2.54um SnPb PLATING OVER 50u"/1.27um Ni ON THE TERMINATION SECTION.

51730-006LF Singal Pin:30u"/0.76um Au OVER 50u"/1.27um Ni ON THE CONTACT AREA, AND 78u"/2.00um Sn PLATING OVER 50u"/1.27um Ni ON THE TERMINATION SECTION.
Power Pin:30u"/0.76um Au OVER 50u"/1.27um Ni ON THE CONTACT AREA, AND 78u"/2.00um Sn PLATING OVER 50u"/1.27um Ni ON THE TERMINATION SECTION.

PART NUMBER 51730-006LF MEETS EUROPEAN UNION DIRECTIVE AND IOTHER COUNTRY REGULATIONS AS DESCRIBED IN GS-22-008.

THE HOUSING WILL WITHSTAND EXPOSURE TO 260° PEAK TEMPERATURE FOR 10 SECONDS IN A WAVE SOLDER APPLICATION WITH A CIRCUIT BOARD.

4. "MANUFACTURER" NAME, P/N, AND DATE CODE TO APPEAR ON THIS SURFACE.

5. PRODUCT SPECIFICATION GS-12-149.

PCB - NOTES:

6. ALL HOLE DIAMETERS ARE FINISHED HOLE SIZE.
7. HOLD DOWN THROUGH HOLES ARE UNPLATED.
8. $\varnothing .0453 \pm 0.0010$ [1.151 \pm 0.025] DRILLED HOLES PLATED WITH 0.0003 [0.008] MIN SnPb OVER .001 [0.03] TO .003 [0.08] Cu PLATING TO ACHIEVE $\varnothing .040 \pm .003$ [1.02 \pm .07] HOLE.
9. "DIM XXX" TO BE DETERMINED BY THE CUSTOMER.

mat'l code				SEE NOTE 2		tolerances unless otherwise specified		CUSTOMER		 www.fciconnect.com	
lfr	ecn no.	dr	date	linear	.XX \pm .01/0.X \pm 0.3		COPY		 title 7P + 32S + 6P RIGHT ANGLE SOLDER HEADER		
D					.XXX \pm .005/0.XX \pm 0.13		projection				
				angles	.XXX \pm .0020/0.XXX \pm 0.051		 INCH/MM		product family PwrBlade code 213		
					0 $^{\circ}$ + 2 $^{\circ}$		scale 1:1		size dwg no A 51730-006 sheet 4 of 4		
				dr	J. SHAFFER	01-14-02					
				enrg	M. MOSTOLLER	01-14-02					
				chr	M. MOSTOLLER	01-14-02					
				appd	M. MOSTOLLER	01-14-02					
sheet index	revision sheet										

1 | 2

Pro/E

3 |

coge code 22526

4